

QLA-60000-90000-35-40

60~90GHz, 35dB, 4dB

Features:
 * Broad Band
 * Low Noise

Applications:
 * Wireless
 * Receiver
 * Laboratory Test
 * Radar

Electrical

| | |
|----------------------|-------------|
| Frequency: | 60~90GHz |
| Gain: | 35dB typ. |
| Output Power (P1dB): | +9dBm typ. |
| Noise Figure: | 4dB typ. |
| Spurious: | -60dBc max. |
| Input VSWR: | 3 typ. |
| Output VSWR: | 2 typ. |
| Voltage: | +5V DC |
| Current: | 150mA typ. |
| Impedance: | 50Ω |
| Input Power: | +10dBm max. |

Mechanical

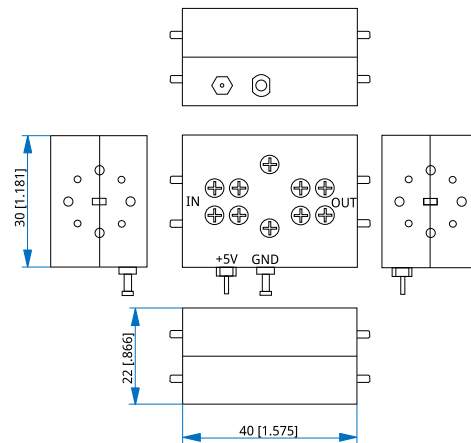
| | |
|----------------|-----------------------------------|
| Size*1: | 40*30*22mm 1.575*1.181*0.866in |
| RF Connectors: | WR-12 |

[1] Exclude connectors.

Environmental

| | |
|----------------------------|----------|
| Operating Temperature: | 10~+40°C |
| Non-operating Temperature: | 0~+50°C |

Outline Drawings



Unit: mm [in]

Tolerance: ±0.2mm [±0.008in]

How To Order

QLA-60000-90000-35-40

Customization is available upon request.